

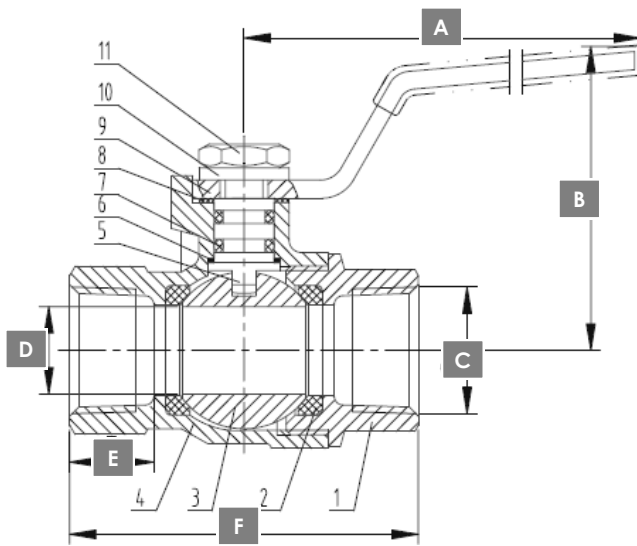
MODEL: P662TFS

Forged Brass 2-Piece Full Port Ball Valve



TECHNICAL

600 WOG · FNPT Ends Per ANSI B1.20.1
 UL Listed, FM Approved (1/4" through 2")
 CSA Approved (1/4" through 2")
 Bottom Loaded Blow-Out Proof Stem
 Temperature Rating: -30°C to 120°C



BILL OF MATERIALS

NO.	DESCRIPTION	MATERIAL
1	Adapter	Forged Brass HPb59-1
2	Seats (2)	Virgin PTFE
3	Ball	Chrome Plated Brass HPb59-1
4	Body	Forged Brass HPb59-1
5	Stem	Machined Brass HPb59-1
6	Washer	Virgin PTFE
7	O-Ring (2)	NBR
8	Washer	Virgin PTFE
9	Handle	Q235A
10	Spring	65Mn
11	Nut	Q235A

DIMENSIONAL DATA

SIZE	1/4"	3/8"	1/2"	3/4"	1"	1-1/4"	1-1/2"	2"	2-1/2"	3"	4"
in/mm	8	10	15	20	25	32	40	50	65	80	100
A	2.4	3.3	3.5	3.5	4.5	5.6	5.6	5.9	8.3	8.3	10.2
in/mm	60	85	90	90	115	141	141	151	211	211	260
B	1.7	1.9	2.0	2.1	2.3	3.0	3.1	3.5	4.8	5.2	6.1
in/mm	42	47	52	52.4	58.6	76	80	90	122.5	133	156
C	1/4-18NPT	3/8-18NPT	1/2-14NPT	3/4-14NPT	1-11 1/2NPT	1-1/4-11 1/2NPT	1-1/2-11 1/2NPT	2-11 1/2NPT	2-1/2-8NPT	3-8NPT	4-8NPT
D	0.31	0.39	0.55	0.75	0.94	1.2	1.5	1.9	2.5	3.1	3.9
in/mm	8	10	14	19	24	31	38	49	64	79	99
E	0.45	0.49	0.63	0.73	0.83	0.91	0.93	0.94	1.10	1.18	1.26
in/mm	11.5	12.5	16	18.5	21	23	23.5	24	28	30	32
F	1.6	1.9	2.3	2.7	3.1	3.6	3.7	4.5	5.5	6.4	7.4
in/mm	41.8	47.5	58.7	67.6	79.6	92.5	95	114	140.2	162	189
WEIGHT	0.22	0.31	0.49	0.72	1.3	2.0	2.6	3.5	7.9	10	16.5
lbs/kgs	0.10	0.14	0.22	0.33	0.57	0.90	1.2	1.6	3.6	4.5	7.5

Predator Valve makes every effort to ensure the information presented on our literature accurately reflects product specifications. However, as changes occur, there may be short-term differences between actual product specifications and the information shown on our literature. The above technical data is for reference only.

PREDATORVALVE.COM

TOUGH RELIABLE STRONG