

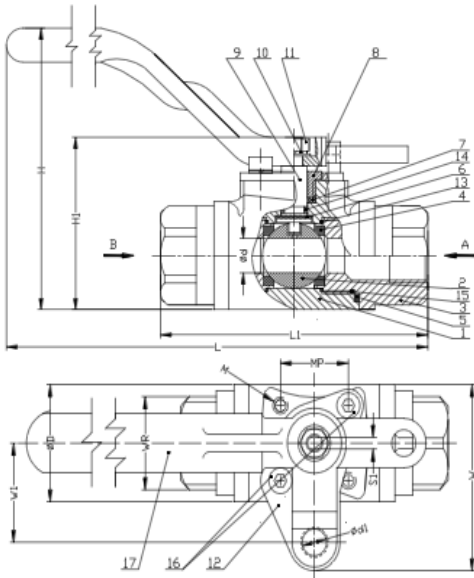
MODEL: P293

Stainless Steel 3-Piece Ball (Reduced Port)



TECHNICAL

ANSI Class 800 (2000 PSI CWP) · NACE MR-01-75 · Threaded Ends
Design & Manufacture Per ASME B16.34 · Testing Per API 598
Heat Number Tracking/Mill Test Reporting Available



BILL OF MATERIALS

No.	Description	Qty	Material
1	Shell (Body)	1	A351 Grade CF8M
2	Ball	1	A182 Grade F316
3	Threaded Bonnet	2	A351 Grade CF8M
4	Seat	2	Delrin
5	Joint Gasket	2	PTFE, Teflon
6	Thrust Washer	1	RPFTE
7	Packing	1	Graphite
8	Gland	1	A182 Grade F316
9	Stem	1	A182 Grade F316
10	Spring Washer	1	A182 Grade F304
11	Stem Nut	1	A182 Grade F304
12	Locking Device	1	A351 Grade CF8M
13	O-Ring	2	Viton
14	O-Ring	1	Viton
15	O-Ring	2	Viton
16	Restraining Unit	2	A182 Grade F304
17	Handle	1	A351 Grade CF8M

DIMENSIONAL DATA

Size	d, mm	D, mm	L, mm	L1, mm	W, mm	W1, mm	H, mm	H1, mm	d1, mm	M, mm	MP, mm	S1, mm	WR, mm	Weight, kg
1/4"	10	38.8	220	100	63	32.5	100	63.5	8.5	M5X0.8	25.4	6.5	35	1.2
3/8"	10	38.8	220	100	63	32.5	105	63.5	8.5	M5X0.8	25.4	6.5	35	1.4
1/2"	12.7	38.8	220	98	63	32.5	100	64.5	8.5	M5X0.8	25.4	6.5	31	1.2
3/4"	17.5	48.5	270	108	75	38	114	76.5	8.5	M6X1.0	29.5	8.5	38	1.6
1"	22.3	55.3	285	108	75	38	135.5	85	8.5	M6X1.0	29.5	8.5	46	1.8
1-1/2"	31.8	75.5	320	133	110	58	150	115	8.5	M6X1.0	35.3	11	62.5	3.8
2"	38.1	86.3	340	159	115	60	175	126	8.5	M6X1.0	35.3	11	76.5	5.6

Predator Valve makes every effort to ensure the information presented on our literature accurately reflects product specifications. However, as changes occur, there may be short-term differences between actual product specifications and the information shown on our literature. The above technical data is for reference only.

TOUGH
RELIABLE
STRONG