

MODEL: P193

Carbon Steel 3-Piece Valve (Reduced Port)

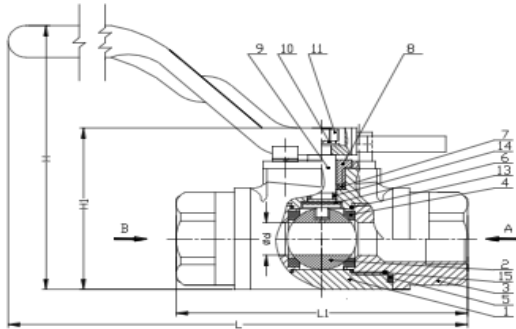
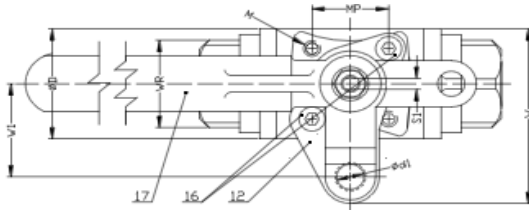


TECHNICAL

3000 PSI (A216 WCB) · NACE MR-01-75 · Threaded Ends ·

Design & Manufacture Per ASME B16.34 · Inspection & Testing Per API 598

Heat Number Tracking/Mill Test Reporting Available



BILL OF MATERIALS

No.	Description	Qty	Material
1	Shell (Body)	1	A216 Grade WCB
2	Ball	1	A182 Grade F316
3	Threaded Bonnet	2	A216 Grade WCB
4	Seat	2	Delrin
5	Joint Gasket	2	PTFE, Teflon
6	Thrust Washer	1	RPFTE
7	Packing	1	Graphite
8	Gland	1	A182 Grade F316
9	Stem	1	A182 Grade F316
10	Spring Washer	1	A182 Grade F304
11	Stem Nut	1	A182 Grade F304
12	Locking Device	1	A216 Grade WCB
13	O-Ring	2	Viton
14	O-Ring	1	Viton
15	O-Ring	2	Viton
16	Restraining Unit	2	A182 Grade F304
17	Handle	1	A216 Grade WCB

DIMENSIONAL DATA

Size	d, mm	D, mm	L, mm	L1, mm	W, mm	W1, mm	H, mm	H1, mm	d1, mm	M, mm	MP, mm	S1, mm	WR, mm	Weight, kg
1/4"	10	38.8	220	100	63	32.5	100	63.5	8.5	M5X0.8	25.4	6.5	35	1.2
3/8"	10	38.8	220	100	63	32.5	105	63.5	8.5	M5X0.8	25.4	6.5	35	1.4
1/2"	12.7	38.8	220	98	63	32.5	100	64.5	8.5	M5X0.8	25.4	6.5	31	1.2
3/4"	17.5	48.5	270	108	75	38	114	76.5	8.5	M6X1.0	29.5	8.5	38	1.6
1"	22.3	55.3	285	108	75	38	135.5	85	8.5	M6X1.0	29.5	8.5	46	2
1-1/2"	31.8	75.5	320	133	110	58	150	115	8.5	M6X1.0	35.3	11	62.5	3.8
2"	38.1	86.3	340	159	113	60	175	126	8.5	M6X1.0	35.3	11	76.5	5.6

Predator Valve makes every effort to ensure the information presented on our literature accurately reflects product specifications. However, as changes occur, there may be short-term differences between actual product specifications and the information shown on our literature. The above technical data is for reference only.

PREDATORVALVE.COM

STRONG

RELIABLE

TOUGH