

# MODEL: EW52NB

## Cast Iron Wafer Type Butterfly Valve



TECHNICAL

ANSI Class 125 (200 PSI) CWP

Lever or Gear Operated Options Available

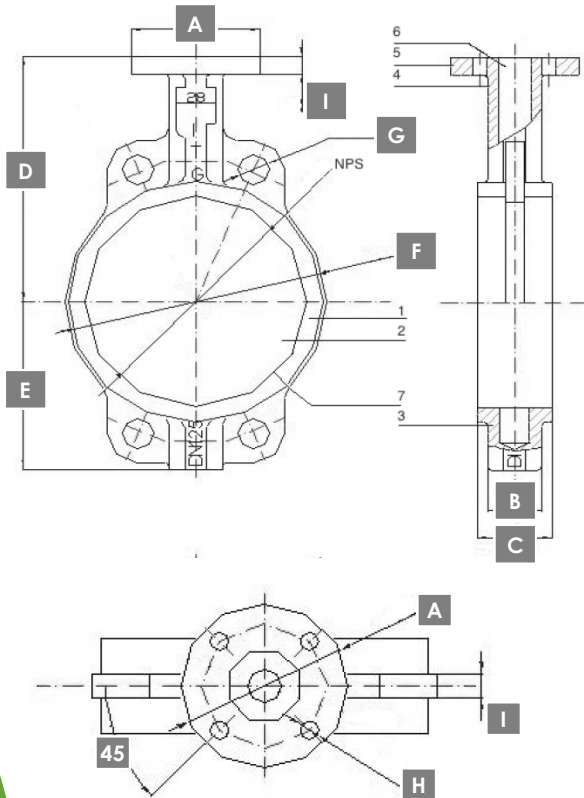
BILL OF MATERIALS

NO.	DESCRIPTION	MATERIAL
1	Body	Cast Iron
2	Disc	Ductile Iron (Ni Plated)
3	Seat	NBR
4	Stem	416 Stainless Steel
5	Position Plate	Steel-Chrome Plate
6	Bushing	PTFE
7	Seal (O-Ring)	Buna-N
8	Handle	Malleable Iron

STRONG

RELIABLE

TOUGH



DIMENSIONAL DATA

SIZE	2"	2-1/2"	3"	4"	5"	6"	8"	10"	12"	14"
in/mm	50	63.5	80	100	127	150	200	250	300	350
A	3	3	3	3.6	3.6	3.6	4.9	4.9	5.5	5.5
in/mm	77	77	77	92	92	92	125	125	140	140
B	1.3	1.3	1.3	1.5	1.5	1.7	1.9	2	2.3	2.3
in/mm	33	33	33	38	38	44	48	51	58	58
C	1.7	1.8	1.8	2	2.2	2.2	2.4	2.7	3.1	3.1
in/mm	43	46	46	52	56	56	60	68	78	78
D	4.9	5.3	6	6.7	7.3	7.8	9.1	10.3	11.9	13.4
in/mm	124	135	152	171	185	197	231	262	303	340
E	3.1	3.2	3.8	4.5	5	5.5	6.9	8	9.2	10.7
in/mm	80	81.3	95.3	114.3	127	139.7	174	203	234	271
F	3.8	4.4	5	6.2	7.4	8.4	10.5	12.8	15.7	16.4
in/mm	96	111	127	157.5	187	213.5	266	326	400	416
G	0.8	0.8	0.8	0.8	0.9	0.9	0.9	1	1	1
in/mm	19.1	19.1	19.1	19.1	22.4	22.4	22.4	25.4	25.4	25.4
H	0.3	0.3	0.3	0.4	0.4	0.4	0.5	0.5	0.5	0.5
in/mm	7	7	7	10	10	10	12	12	12	12
I	0.4	0.4	0.4	0.4	0.5	0.5	0.7	0.7	0.7	0.8
in/mm	10	10	10	10	13	13	19	19	19	20
WEIGHT	6	8	8	12	16	19	30	49	69	91
lbs/kgs	2.7	3.6	3.6	5.4	7.3	8.6	13.6	22.2	31.3	41.3

\*\* 14" Gear operated only

Predator Valve makes every effort to ensure the information presented on our literature accurately reflects product specifications. However, as changes occur, there may be short-term differences between actual product specifications and the information shown on our literature. The above technical data is for reference only.

[PREDATORVALVE.COM](http://PREDATORVALVE.COM)