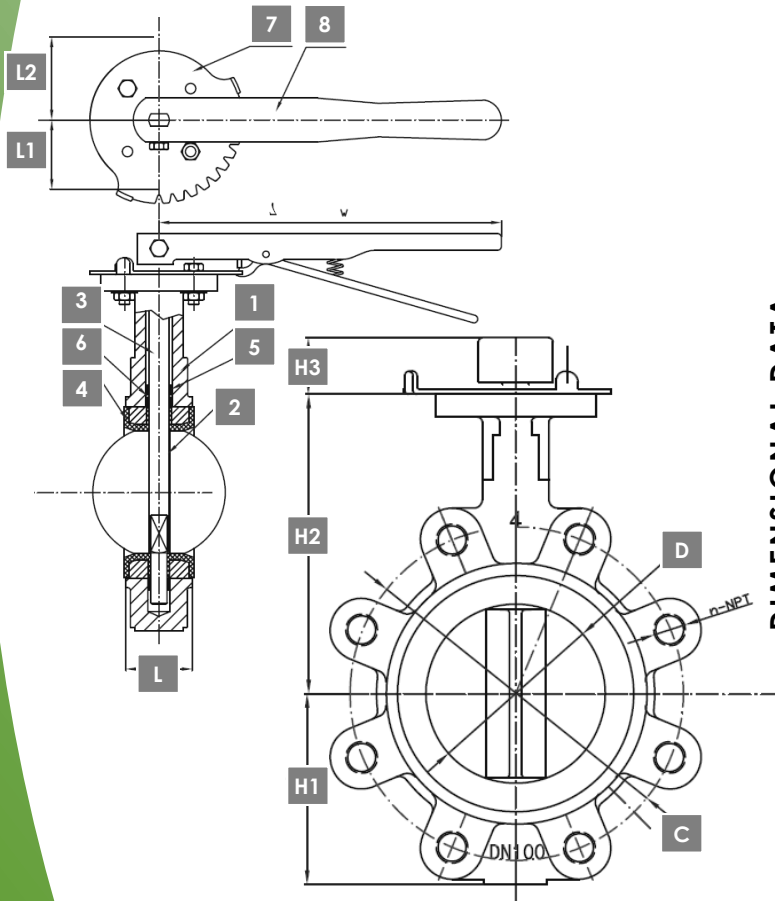
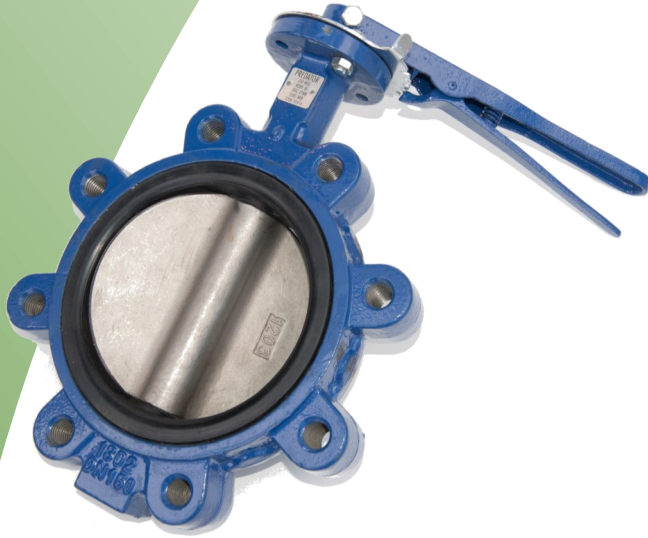


MODEL: EL82SBL

Ductile Iron Lug Type Butterfly Valve w/ Lever Handle



TECHNICAL

ANSI Class 125 (250 PSI) CWP
Design per API 609
Wall Thickness & Flange Drilling ANSI B16.5
Mounting Flange ISO-5211

BILL OF MATERIALS

NO.	DESCRIPTION	MATERIAL
1	Body	Ductile Iron
2	Disc	Stainless Steel CF8M
3	Stem	Stainless Steel 416
4	Seat	NBR
5	Bushing	PTFE
6	O Ring	NBR
7	Position Plate	Steel
8	Hand Level	Ductile Iron

DIMENSIONAL DATA

SIZE	2"	2-1/2"	3"	4"	5"	6"	8"	10"	12"
in/mm	50	63	80	100	127	150	200	250	300
L	1.65	1.81	1.81	2.05	2.17	2.20	2.36	2.64	3.03
in/mm	42	46	46	52	55	56	60	67	77
H1	2.91	3.15	3.46	4.29	4.88	5.47	6.69	7.87	9.21
in/mm	74	80	88	109	124	139	170	200	234
H2	4.92	5.24	5.59	6.73	7.28	7.76	9.09	10.67	12.28
in/mm	125	133	142	171	185	197	231	271	312
H3	1.30	1.30	1.30	1.30	1.38	1.38	1.69	1.69	1.69
in/mm	33	33	33	33	35	35	43	43	43
C	4.75	5.5	6.0	7.5	8.5	9.5	11.75	14.25	16.97
in/mm	120.7	139.7	152.4	190.5	215.9	241.3	298.5	362	431
L1	2.13	2.13	2.13	2.13	2.13	2.13	2.95	2.95	2.95
in/mm	54	54	54	54	54	54	75	75	75
L2	2.56	2.56	2.56	2.56	2.56	2.56	3.39	3.39	3.39
in/mm	65	65	65	65	65	65	86	86	86
WEIGHT	1.81	2.27	2.72	3.9	4.99	5.67	7.26	11.79	18.14
lbs/kgs	4	5	6	8.6	11	12.5	16	26	40

Predator Valve makes every effort to ensure the information presented on our literature accurately reflects product specifications. However, as changes occur, there may be short-term differences between actual product specifications and the information shown on our literature. The above technical data is for reference only.

TOUGH
RELIABLE
STRONG